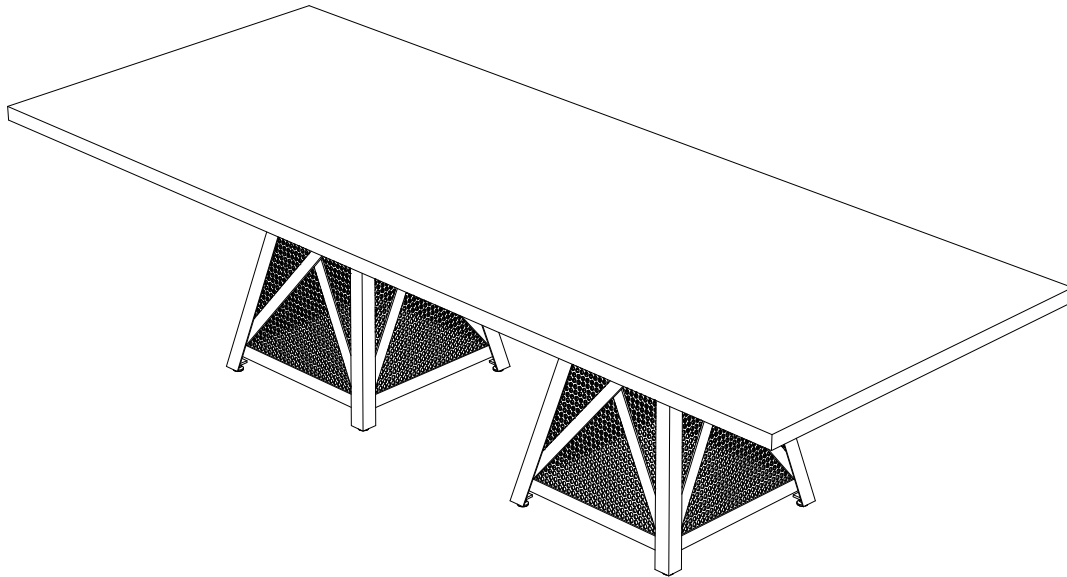


# INDUSTRIAL CONFERENCE TABLE

Assembly Instructions



## **Thank you for your purchase!**

This furniture is uniquely and individually fabricated. For this reason, your furniture is pre-assembled and labeled before shipping. Labels are marked on the underside of the furniture. Most furniture is then deconstructed prior to shipping. Pieces that uniquely correspond can typically be found on the same pallet.

Assembly is best completed by keeping the pieces that correspond together. Clear your work area of anything that could scratch furniture surfaces. If possible, cover your work area with a clean, soft blanket. Carefully flip any wooden tops over and inspect the bottom sides for markings.

Match legs, flat brackets, etc.  
to the appropriate labels.

If you need further assistance of any kind,  
please contact:

888-442-8242

[hello@cubicles.com](mailto:hello@cubicles.com)

# HARDWARE

Screws are shown actual size. You may receive extra hardware with your unit.

①

14-10 LAG BOLT  
**QTY: 18**

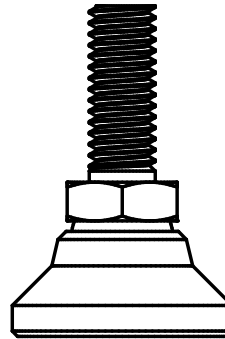
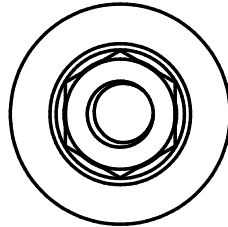


## Tools Required

#3 Square Drive

④

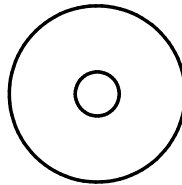
LEVELING FOOT  
**QTY: 8**



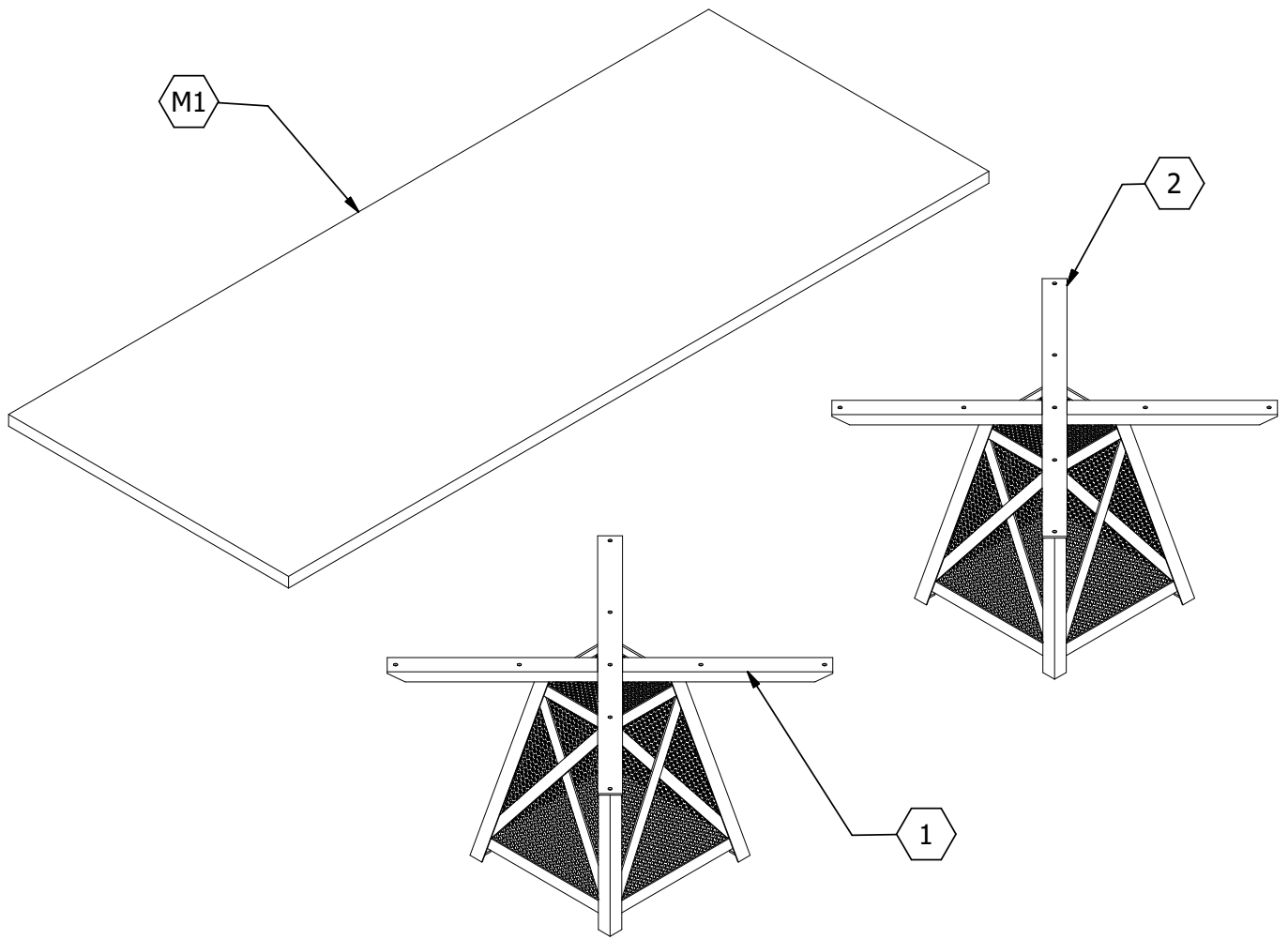
9/16 Crescent Wrench

⑤

WASHER  
**QTY: 18**



# PARTS



1 DOVER BASE

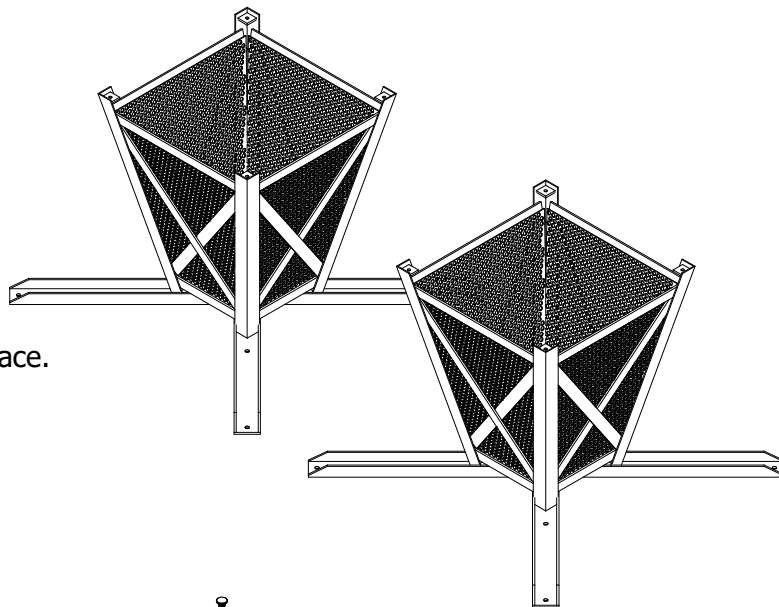
2 DOVER BASE

M1 MAIN TOP

# ASSEMBLY

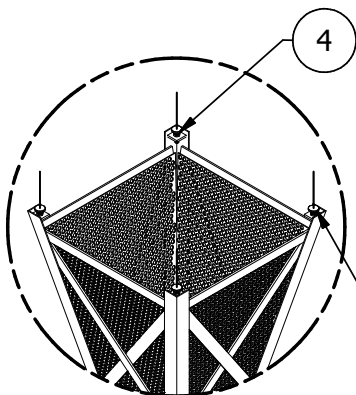
## STEP 1

Place both bases face down on a clean surface.

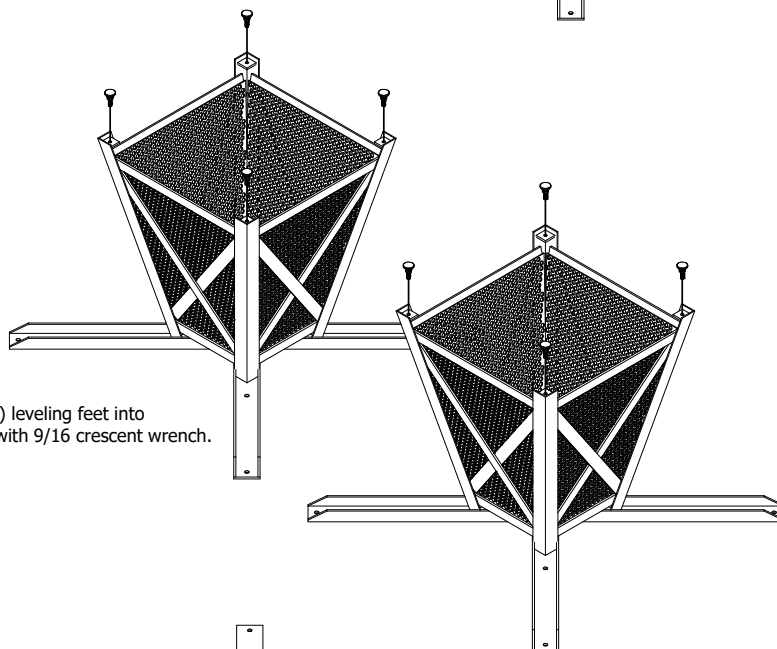


## STEP 2

Screw in (4) leveling feet in each base.

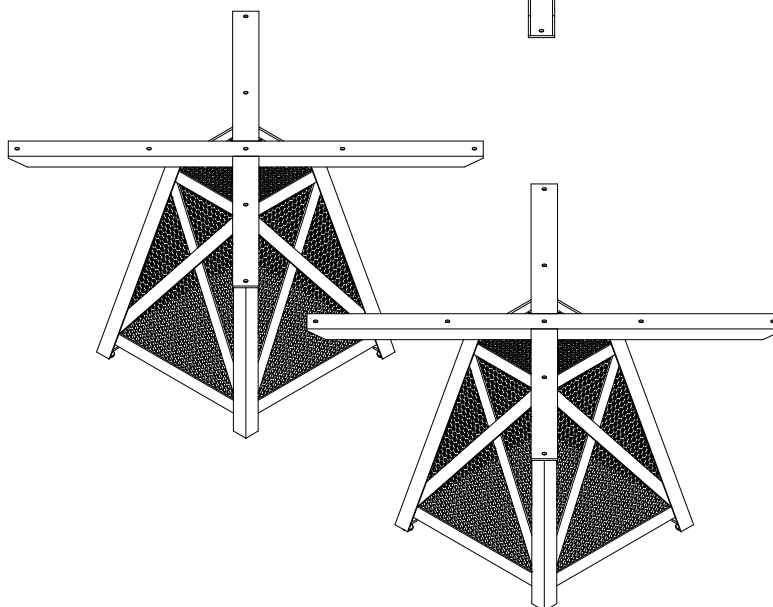


Screw in (4) leveling feet into each base with 9/16 crescent wrench.



## STEP 3

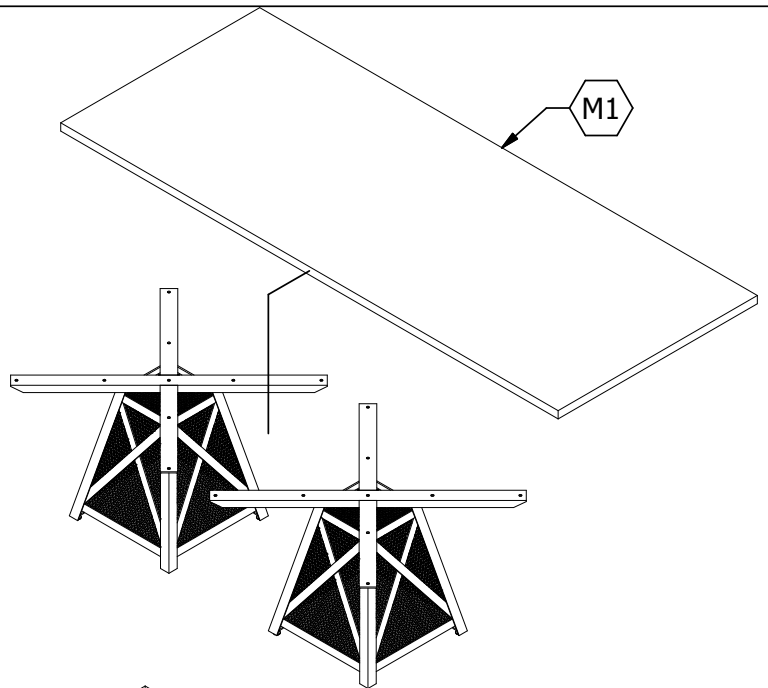
Flip both bases to an upright position.



# ASSEMBLY

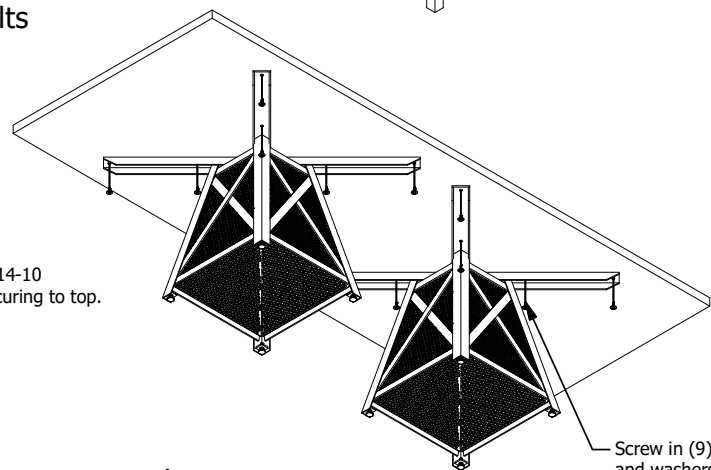
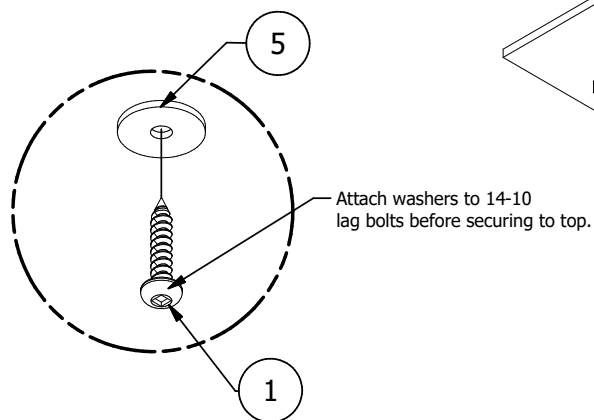
## STEP 4

Align top to bases using markings on the underside of the top.



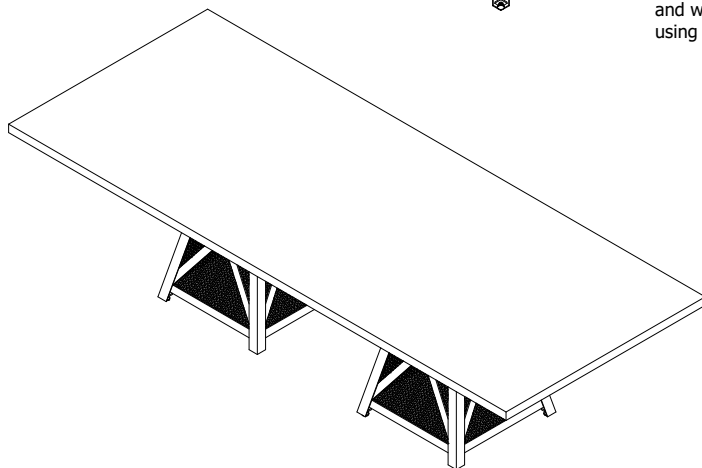
## STEP 5

Secure top to bases with (9) 14-10 lag bolts and washers in each base.



## STEP 6

Enjoy your desk!



# CARE INSTRUCTIONS

To care for either wooden or metal surfaces of these products, gently wipe with a soft cloth dampened with water and a mild dishwashing liquid. Once satisfied, dry with a soft cloth.