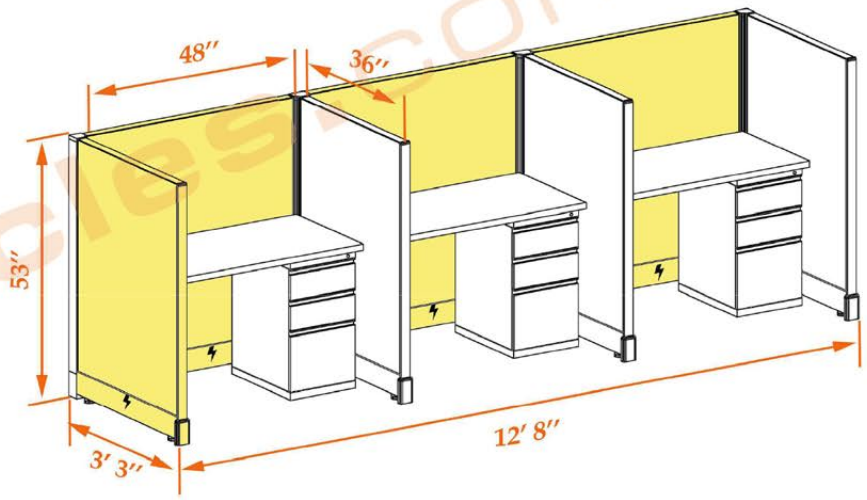


© 2008 Cubicles.com, Inc. All rights reserved.  
Cubicles.com is a registered trademark of Cubicles.com, Inc.  
All other trademarks are the property of their respective owners.



© 2008 Cubicles.com, Inc. All rights reserved.  
Cubicles.com is a registered trademark of Cubicles.com, Inc.  
All other trademarks are the property of their respective owners.

